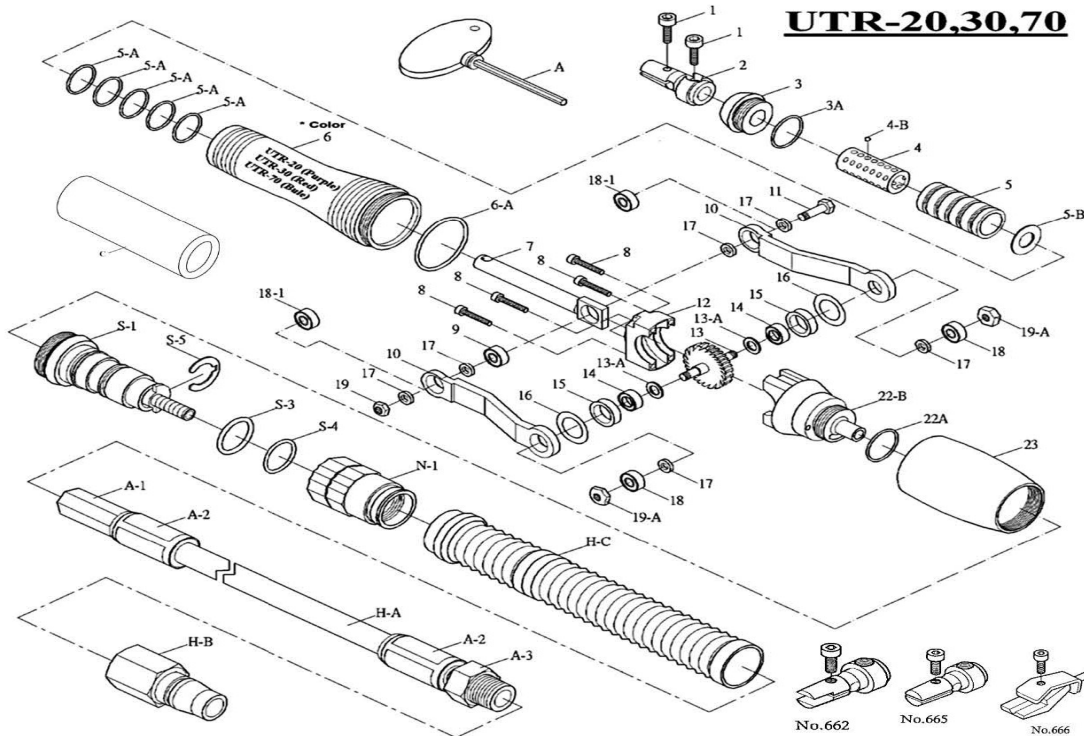


U-LAP 30/70 Repair Parts List



U-LAP 30/70 PARTS							
No	Order No	Description	Price	No	Order No	Description	Price
A	50053	Hex Wrench	\$2.10	13	50051	Turbine (Ulap 30 Only)	\$25.00
1	50004	Set Screws (2Pk)	\$2.10	13-A	50027	Copper Washer	\$1.25
2	50005	3mm Tip Holder	\$10.00	14	50028	Bearing	\$16.25
3	50006	Front Cover	\$10.00	15	50029	Bearing Fixer	\$15.50
3-A	50007	O-Ring	\$1.00	16	50031	O-Ring	\$1.70
4 & 4-B	50050	Fixed Ball & Bushing U-Lap 30/70	\$18.65	18	50035	Bearing	\$14.16
5	50014	Sliding Bushing	\$7.15	19	50036	Nut	\$1.70
5-A	50015	O-Ring	\$4.00	19-A	50037	Nut	\$1.00
5-B	50016	Washer	\$1.00	22-A	50038	O-Ring	\$1.00
6	50017	Front Body (ULap 70 Only)	\$48.00	22-B	50039	Air Inlet Body	\$16.25
6	50069	Front Body (ULap 30 Only)	\$48.00	23	50041	Rear Turbine Cab Set	\$35.00
6-A	50018	O-Ring	\$1.00	S-1	50042	Switch Body	\$10.00
7	50019	Mainshaft	\$19.00	S-3	50044	O-Ring	\$1.00
8	50021	Screw (4 Pk)	\$8.72	S-4	50045	O-Ring	\$1.00
9	50022	Bearing	\$11.75	S-5	50043	C-Ring	\$1.45
10-B	50072	Plastic Crank Set *	\$18.00	N-1	50046	On-Off Control	\$11.75
11	50024	Bolt	\$6.50	H-A	50000	Air Hose Set	\$12.40
12	50025	Front Turbine Cab	\$4.00	H-B	50002	Quick Joint	\$2.90
13	50026	Turbine (ULap 70 Only)	\$25.00	H-C	50001	Muffler Pipe	\$4.90

* Plastic Crank Set includes Plastic Crank (#10), Bearing (#18-1) & Washer (#17) - Parts not sold separately.